

Product Information

Insulator ISO K35

The insulator is designed for antenna installation applications on board of seagoing vessels. The insulation characteristics are at an optimum even under rough environmental conditions.

The insulator is not affected by aggressive media which are likely to be encountered aboard seagoing ships.

The insulator does not absorb moisture for a long time. The build-up of ice or dust is largely prevented by the water-repellent surface.

The insulator provides excellent electrical characteristics, for example an extremely high insulation resistance, negligible surface conductivity, low dielectric loss factor and a good resistance to creepage currents and arcing.



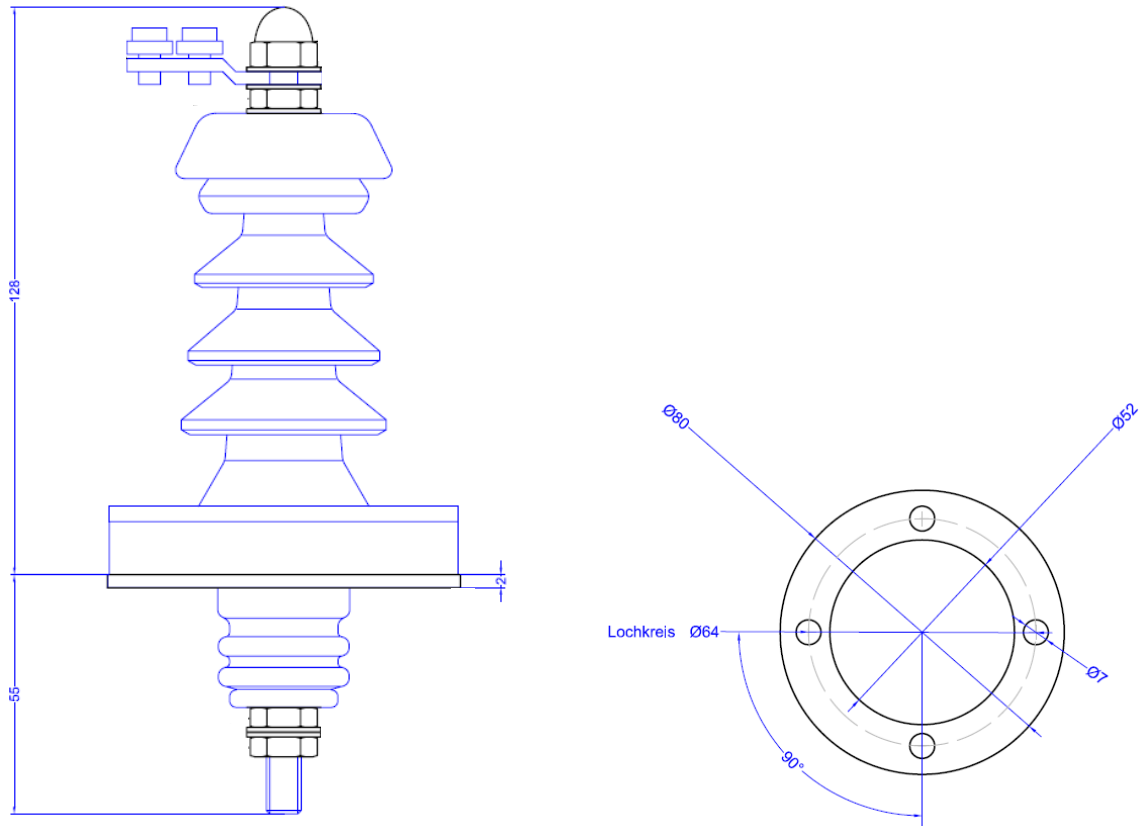
Technical Data

Parameter	Data
Application	Lead through insulator for use with antenna installations
Dimension	183 x 80 mm
Weight	0,5 kg
Mounting	vertical mounting position recommended
Antenna connection	Clamping terminal 8,4mm
Clamping cone	M8
Ambient temperature	-60°C...+100°C
Max. operating voltage	12 kV
Dielectric constant	3,7
Tangents Delta	0,005
Surface resistance	10 ¹⁴ Ohm
Dielectric strength	50 kV/mm

Data given without tolerance are typical values.

Design and specification are subject to change without prior notice, errors excepted.

Dimensions



Scope of Supply

Pos.	Description
1	Insulator ISO K35

Order Information

Type Designation	Part No.	Description
ISO K35	0006.2000.00	Insulator

Options

Option	Description
Length of axis	Other axis length available according to customer needs.